

Aspirating Smoke Detector FAAST LT-200 EB

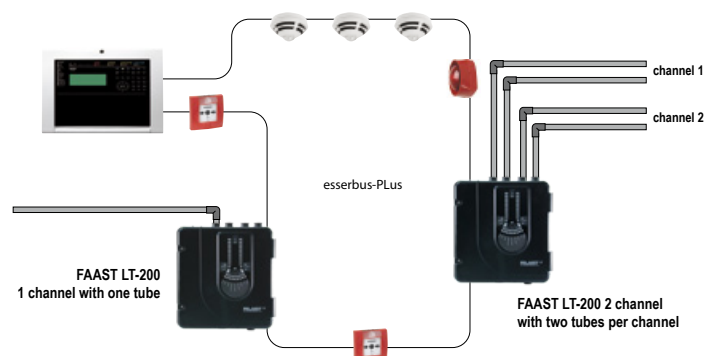
- ✓ **Direct connectivity to esserbus / esserbus-PLus loop**
- ✓ **High sensitivity LED fire detection for highest protection level**
- ✓ **Adjustable Sensitivity in 9 levels from 0.07 % - 0.66 %LD/m**
- ✓ **Ultrasonic flow sensors, for flow control**
- ✓ **PipeIQ™LT software provides intuitive system layout and configuration all in one package**
- ✓ **Coverage Area up to 1,600m²**
- ✓ **User friendly air flow pendulum graph for verification of pipe network functionality**
- ✓ **Easy access to filter(s) and sensor(s)**
- ✓ **Single & Dual channel versions with independent channels including fan, sensor and flow monitoring**
- ✓ **2-Detection dependency function**
- ✓ **Multiple event logging up to 2240 events**

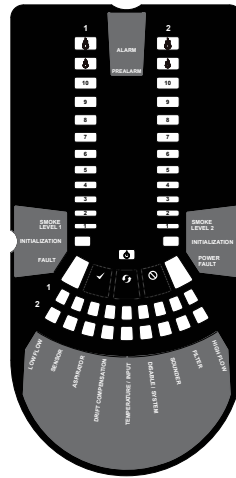
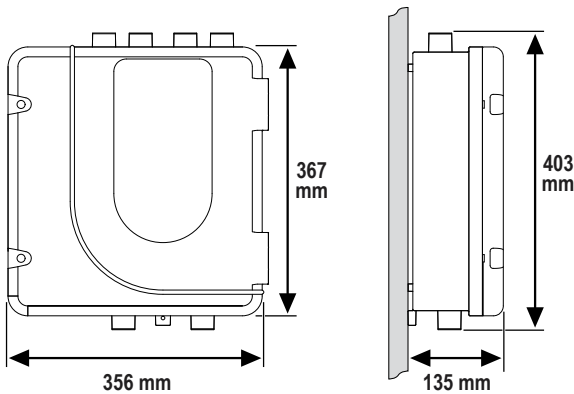


The FAAST LT-200 EB Aspirating Smoke Detector is designed with the installer and end user in mind. It serves the wide variety of Class C applications where maintenance is difficult, other smoke detection methods are inappropriate or prone to fail due to harsh environments or areas where aesthetics matters. It is also suitable for smaller mission critical applications where very early warning - Class A or B detection is required.

FAAST LT-200 EB combines proven aspiration detection technologies to deliver reliable smoke detection and efficient installation and maintenance. The device includes specially designed IR-LED detection chamber inside, ultrasonic flow sensors, and internal design features to protect vulnerable components from environmental and human threats. The device is fast to install and easy to commission thanks to PipeIQ pipe design and configuration software which is included as standard.

The FAAST LT-200 EB esserbus is connected direct on the esserbus. All devices are member of the esserbus loop and will be easy programmed with the commissioning software tools8000. FAAST LT-200 EB devices are available as single channel and dual channel devices, offering flexibility for different detection strategies. The dual channel variant includes 2 separate channels where every channel has his own adjustable fan and a separate exhaust. A range of customisable settings are geared towards maximising device performance and meeting different application needs. To accommodate local installation standards or environments, flow and general fault delays can also be set.





User Interface Display

- Alarm level; Alarm, Pre-Alarm
- Particulate Levels; 1-9
- Fault Status
- Flow Level
- Test, Reset and Disable Buttons

Technical Data

Operating voltage	18.5 ... 28 V DC
Power Reset	0.5 Sec.
Remote Reset Time	2 Sec.
Quiescent current @ 24 V DC	182 mA (1 channel) 282 mA (2 channel)
Max. alarm current @ 24 V DC	480 mA (1 channel) 690 mA (2 channel)
Maximum Single Pipe Length	100 m (per channel)
Maximum Total Branched Pipe Length	200 m (per channel)
Maximum Air Inlet Holes	20 (per channel)
Outside Pipe Diameter	25 or 27 mm
Internal Pipe Diameter	15 ... 21 mm
Coverage Area	< 1,600 m ²
Sensitivity	0.07 % obs/m ... 0.66 % obs/m
Relays	2.0 A @ 30 V DC, 0.5 A @ 30 V AC
Sound level	26 dB (A) @ ventilation step 1 (1 channel) 28 dB (A) @ ventilation step 1 (2 channel)
Ambient temperature	-10 °C ... 50 °C
Aspirated air temperature	-20 °C ... 55 °C
Air humidity	10 ... 95 % (non condensing)
Type of protection	IP65
Dimensions	W: 356 mm H: 403 mm D: 135 mm
VdS approval	applied
EN 54-20: (Inlet holes per channel)	class A: 3 holes, class B: 10 holes class C: 20 holes
Declaration of Performance	DOP-ASP034 (1 channel) DOP-ASP035 (2 channel)

Order information

	Part No.
Aspirating Smoke Detector FAASLT-200 EB, 1 channel	801711.10
Aspirating Smoke Detector FAASLT-200 EB, 2 channel	801722.10
FAASLT Replacement Integral Filter (2 filters) for FAASLT-200 EB	FL-IF-2
External Pipe Filter	F-INF-25
External Filter Replacement Pack, 4 pcs.	F-INF-25-RF