

3-way IR flame detector

- **Functional monitoring to the highest European standards in accordance with EN 54**
- **High sensitivity for fire detection in accordance with EN 54-10 class 1**
- **Individual detector configuration via integrated DIL switch**
- **Integrated contamination control and functional monitoring of sensors**
- **Robust design and high chemical resistance**
- **Protection class IP67**



Customized detection

The industrial detectors from the UniVario product range are used for detecting rapid flame development and temperature changes. With their robust design, metal housing and high IP67 protection class, they are perfect for use under the harshest industrial conditions.

Functional reliability through self-monitoring

The detectors have an internal monitoring function which checks at regular intervals that the existing sensors are working properly without faults. The optical windows of the UniVario flame detectors are also checked at regular interval for contaminations. To increase security against false alarms, fire-specific signals are digitally processed internally in the detectors. This significantly reduces the risk of an alarm being triggered during a lightning storm, for example.

Standard-compliant monitoring

The UniVario industrial detectors are monitored in accordance with EN 54-13 in respect to the harmonized criteria of the European compatibility requirements for fire alarm systems. With the esserbus transponder (Part No. 808623.10) and end-of-line com-

ponent (EOL-UV, Part No. 808626.10) the detectors are monitored in terms of power supply, proper functioning and line faults.

Even intermittent interruptions and short circuits in the form of transfer resistance on the line, due to the detector being connected incorrectly for example, are immediately detected and reported as faults to the fire alarm control panel.

Type B two-detector dependency

For fire monitoring and direct notification to the fire department, the esserbus transponder can be easily programmed for type B two-detector dependency (previously two-zone dependency) via the ESSER tools 8000 programming and service software in accordance with DIN VDE 0833-2. This ensures that the fire department is only notified if at least two fire incidents are reported by the connected UniVario detectors.

Easy mounting via the base principle

The system is mounted following the proven base principle. The detectors are mounted to the base using the supplied Allen screws. If a detector needs to be exchanged, it is simply removed from the base and replaced with a new detector.

Application examples

- Painting systems
- Engine testing facilities
- Wood industry
- Aircraft hangars
- Compression stations
- Monitoring of fuel tanks and fuelling zones in outdoor areas
- Chip and semiconductor manufacturing
- Printing machines
- Chemical production
- Pumping stations
- Heat and power stations/Coal-fired power stations

Increased protection against:

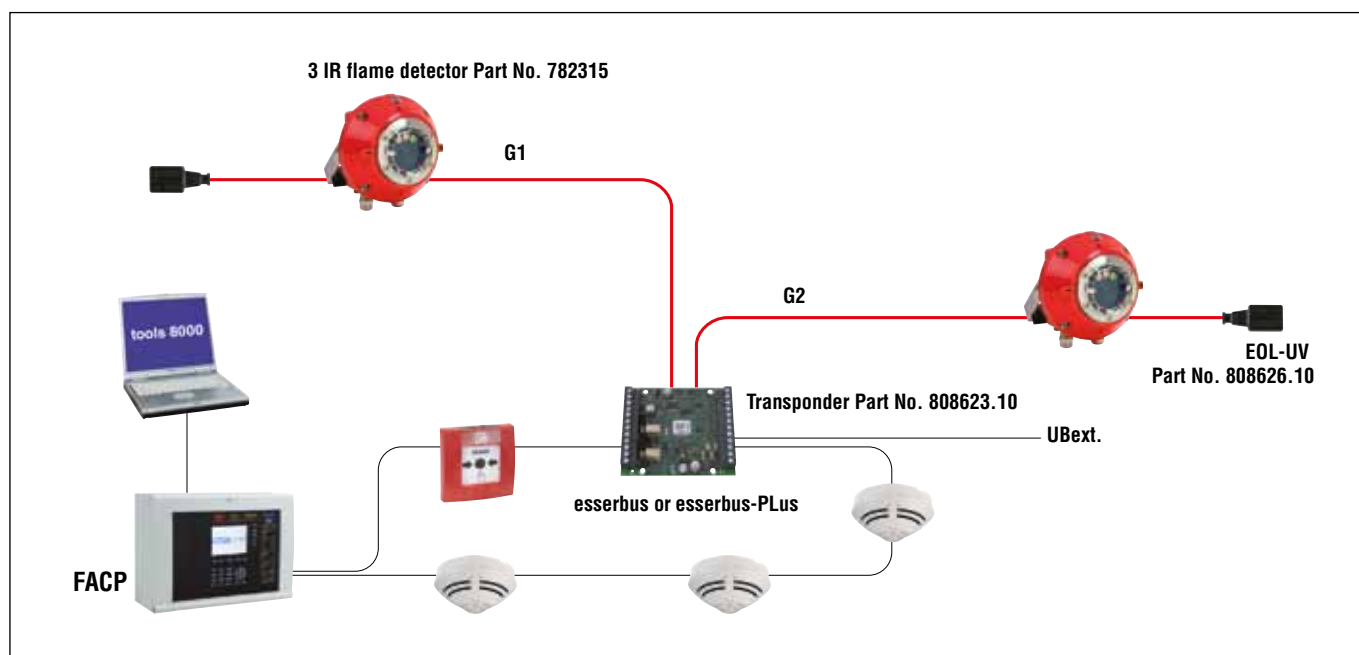
- Solar radiation
- Halogen spotlights and various illuminants
- Welding flames

Intelligent system integration

The UniVario range of industrial detectors are part of the ESSER fire alarm systems and have been tested and certified accordingly. They are integrated into the ESSER system via

the esserbus transponder (Part No. 808623.10).

This component was specifically designed for connecting the UniVario detectors, and ensures that alarms and faults of any kind are reliably transmitted to the FACP directly via the zone input.



Connecting flame and heat detectors

Specifications

Operational voltage	9 V DC
Quiescent current	Approx. 2.3 mA @ 9 V DC
Alarm current	Approx. 15 mA @ 9 V DC
Ambient temperature	-20 °C ... +80 °C
Protection rating	IP67
Housing	Die cast aluminum
Specification	EN 54-10 cl. 1: 2002 / A1:2005; EN 54-13
VdS approval	G211041
CE certificate	0786-CPD-21055
Spectral sensitivity	2 µm ... 6 µm
Monitoring area	Max. 650 m ²
Room height	Max. 45 m

Order information

	Part No.
3-way IR flame detector (without base)	782315
Standard base	783313
esserbus transponder	808623.10
EOL-UV	808626.10

For further order information, please refer to our fire alarm technology product catalog.

Novar GmbH a Honeywell Company

Dieselstraße 2,
41469 Neuss, Germany

Phone: +49 2137 17-0 (Administration)
Phone: +49 2137 17-600 (Customer Service Center)
Fax: +49 2137 17-286

Internet:
www.esser-systems.com

E mail:
info@esser-systems.com

Honeywell Life Safety Austria GmbH

Lemböckgasse 49,
A-1230 Wien

Phone: +43 1 600 6030
Fax: +43 1 600 6030-900

Internet:
www.hls-austria.at

E mail:
hls-austria@honeywell.com