

L-VWP06P/EN(AB)&582427 L-VWP06C/EN(AB)&582428 A/B Cabinet Loudspeaker



This loudspeaker is a high-performance 6W dual channel(A&Bchannel work at the same time) voice alarm cabinet loudspeaker . It provides a broad frequency response range. Low distortion and high sound pressure level for accurate and intelligible broadcast of evacuation messages and high quality sound reproduction .It s ideal for sound distribution in various types of commercial buildings. Its low-profile white color design blends easily with most interiors in locations such as hotels, conference rooms. cinemas factories and exhibitions.



1293
17
1293-CPR-0562

- Intelligible voice and superior sound reproduction
- Hamonious with all indoor decoration
- Simple power setting /ceramic or plastic terminal
- UV protection UL94V0 ABS housing
- Easy installation
- EN54 part 24 certified
- RoHs compliant

Installation/Configuration Notes

Mounting

The loudspeaker is designed for quick and simple installation.First, mount the back can on the wall or on the junction box using the screw slots .Cable can be entered from the rear or the side.

Technical Specifications

Electrical	A/B \ A+B
Max power	9W \ 18W
Rated power	6W \ 12W
Power tapping	2x6/3/1.5W(100V) 2x3/1.5/0.75W(70V)
Sensitivity (1W/4m,100Hz~10kHz)	78dB/84dB
SPL(1W/1m,100Hz~10kHz)	90dB/96dB
SPL(6W/4m,100Hz~10kHz)	85.5dB/91.5dB
Frequency response range (-10dB)	200Hz~13KHz
Rated input voltage	100 V / 70 V
Rated impedance	1.67K Ω/3.33K Ω/ 6.67K Ω
Connection	fire-resistant cable

Mechanical

Dimensions	260x200x88mm
Weight	1.83Kg
Color	white (RAL 9010)
Speaker driver	3x5 inch(2pcs)

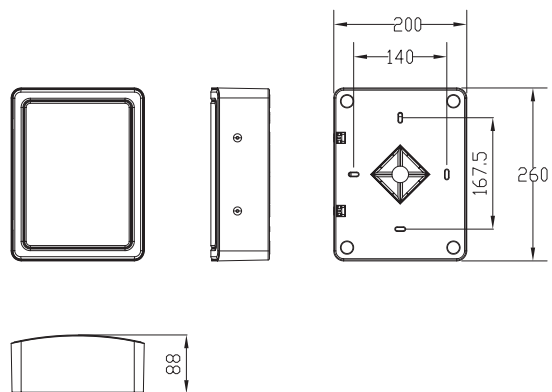
Environmental

Operating temperature	-25°C to +55°C
Storage temperature	-40°C to +70°C
Relative humidity	<95%

* The reference axis is perpendicular to the centre point of the front of cabinet
 * The reference plane is perpendicular to the centre of the reference axis
 * The horizontal plane is perpendicular to the centre of the reference plane
 * The spec/data was measured using a standard column mounting in an anechoic chamber as described in EN54-24

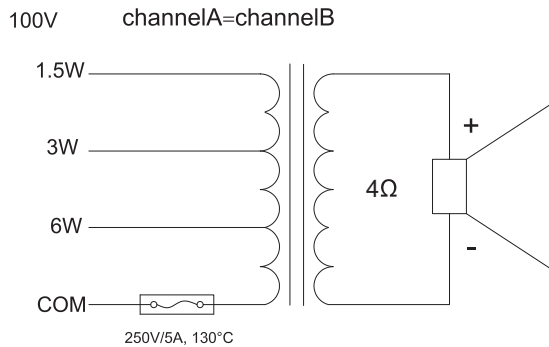
Power setting

There are three primary taps including 6W,3W,1.5W for your selection.The cable connector is mounted on the back cover or the side for easy installation.



Unit: mm

Circuit Diagram

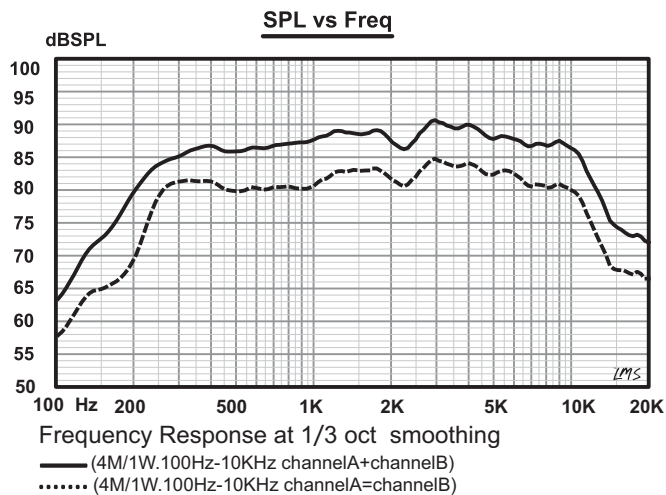


With transformer: 100V/70V line

channelA=channelB

	Tapping			
100V	6W	3W	1.5W	Com
70V	3W	1.5W	0.75W	Com
IMP(KΩ)	1.67	3.33	6.67	

Frequency Response



Dispersion angles

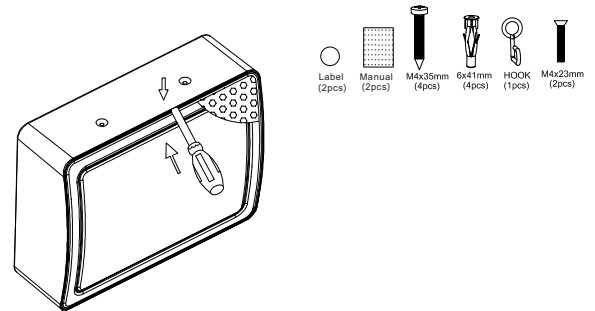
		Horizontal	Vertical
1/3 oct pink noise	500Hz	180°	180°
1/3 oct pink noise	1k Hz	180°	180°
1/3 oct pink noise	2k Hz	138°	161°
1/3 oct pink noise	4k Hz	73°	128°

USA: Honeywell International Inc./ 12 Clintonville Road, Northford CT 06472
 Europe: Novar GmbH a Honeywell Company / Dieselstrasse 2,41469 Neuss, Germany
 Austria: Honeywell Life Safety Austria GmbH/Lembockgasse 49, 1230 Vienna, Austria
 UK: Novar Systems Ltd / Waterside Road, LEICESTER, Leicestershire LE5 1TN, United Kingdom

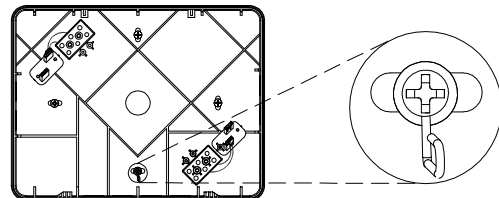
M_L-VWP06P/EN(AB)&582427_EN1.2
 M_L-VWP06C/EN(AB)&582428_EN1.2
 2100048957

Installation Instructions

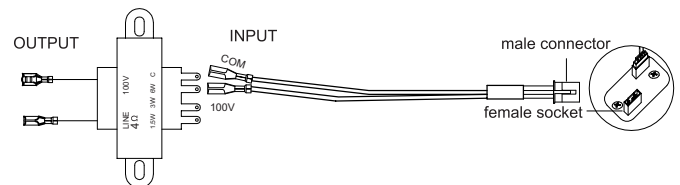
1. Unpack and take out the cabinet speaker.
Separate the front cover from back box.



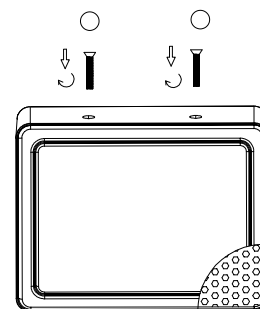
2. Fix the back box on the mounting place (install the screws and dowels as shown below).
horizontal/vertical mounting or ceiling mounting.



3. Select appropriate power terminals and connect with cables.
Insert male plug of cable into PCB female socket.



4. Combine the front cover with grille & the back box.
Steps: match pins with slots and insert front cover slantingly.
Fix the both parts with two screws.



Honeywell

THE POWER OF CONNECTED

Life Safety A/V (Guangzhou) Co. Limited

Service Contact: hav.international@honeywell.com

www.honeywellav.com

© 2017 Honeywell International Inc. All rights reserved.

Data subject to change without notice