

## VARIODYN® D1

### Power amplifier 2 x 250 W, 2 x 500 W, class H

---

- Power amplifier, 2-channel, class H, 100 V outputs
- Two models available: 2 x 250 W / 2 x 500 W
- Emergency power supply via 24 V DC
- Control and monitoring via DOM



---

#### Application

The power amplifiers possess two independent amplifier channels and are compatible with the VARIODYN® D1 system.

The power amplifiers are controlled and monitored by the VARIODYN® D1 modules DOM4-8 or DOM4-24.

#### Connections

- Combined LF/control input
- Dual-channel 100 V output
- 230 V AC mains supply
- 24 V DC emergency power supply input

#### LED indicators

- ERROR (per channel)
- POWER (per channel)
- CLIP (per channel)
- CHANNEL (per channel)
- DC POWER
- AC POWER

#### LF / Control

Both LF inputs and the control input are connected to the VARIODYN® D1 DOM module via a cable (part No. 583491).

#### 100 V outputs

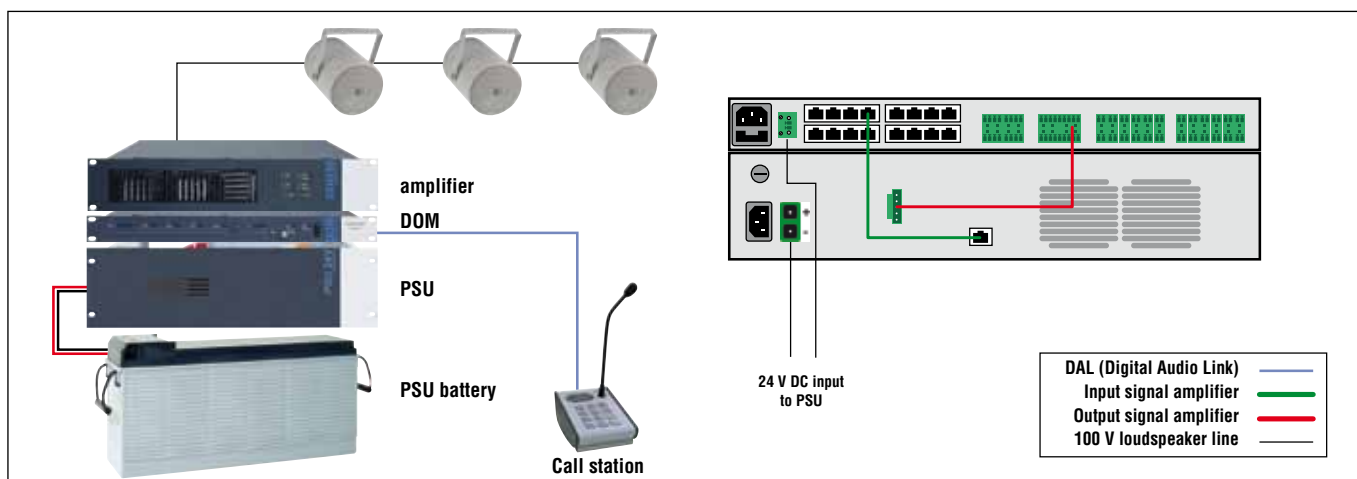
The symmetrical ungrounded 100 V outputs are available at the connector labeled "OUTPUT 100 V".

The double amplifier 100 V outputs are connected to the VARIODYN® D1 DOM module via cable (part No. 583477.21).

#### Mains supply and battery connection

A European IIEC connector for mains supply connection, as well as a mains fuse are located on the back of the amplifier. A mains cable is supplied. The power amplifier can only be operated via a three-wire system feed with a protective ground wire.

The 24 V DC emergency power supply is connected to the 2-way plug.



System Overview / Power Amplifier 2XH250 to DOM4-24 Wiring

## Technical data

Type	2XH250	2XH500
Rated power output (sinus)	2 x 250 W	2 x 500 W
Voltage consumption (230 V AC)	6.9 A	13.5 A
Voltage consumption (24 V DC / sinus continuous tone*)	38.8 A	86 A
Voltage consumption (24 V DC / announcement / 1/3 load)*	21.3 A	40 A
Voltage consumption (24 V DC / announcement / 1/8 load)*	8.7 A	19.3 A
Power consumption (standby mode) separated from mains supply	0 VA	0 VA
Weight	approx. 17.5 kg	approx. 20.5 kg

\*The voltage consumption is for both amplifier channels together when both outputs are wired with maximum speaker power (2 x 250 W or 2 x 500 W).

## General technical data

Nominal frequency	50 ... 60 Hz, +10 % / -5 %
Emergency power supply	24 V DC
Functional operating principle	class H
Transmission frequency band (-1 dB)	20 Hz ... 22 kHz
Signal-to-noise ratio, unweighted	> 101 dB
Harmonic distortion at full load / 1 kHz	< 0.05 %
Channel separation	> 75 dB
Input impedance	> 10 kΩ, electronically balanced
Ambient temperature during operation	-5 °C ... +55 °C
Relative humidity	40 % ... 90 %, no condensation
Casing color	grey, similar to RAL 7016
Dimensions (H x W x D)	88 x 484 x 382 mm / 2 HU, 19"

## Order information

	Part No.
Power amplifier 2 x 250 W / 100 V	580221.41
Power amplifier 2 x 500 W / 100 V	580222.41
Input cable DOM	583491
Output cable DOM (for 2 amplifiers)	583477.21
DOM-XV cable for amplifier audio inputs and remote control	583491
XV-DOM cable for amplifier and audio outputs (for 2 amplifiers)	583477.21

Additional order information can be found in the "Voice Alarm Systems" product group catalog.